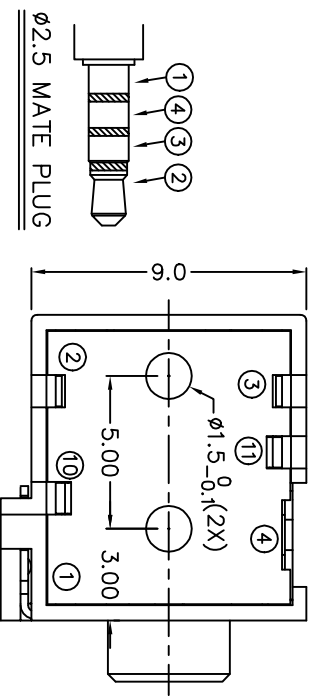
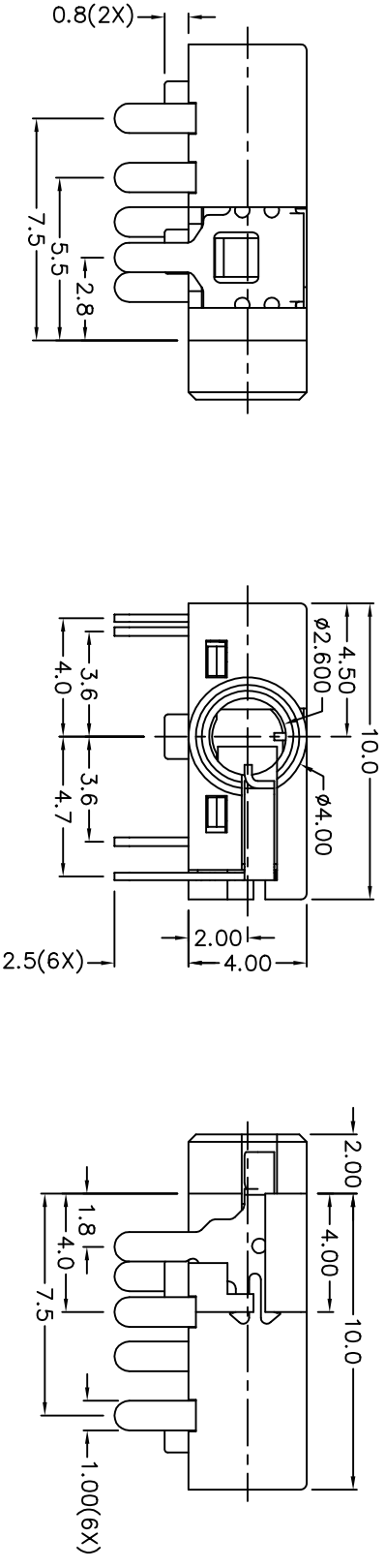
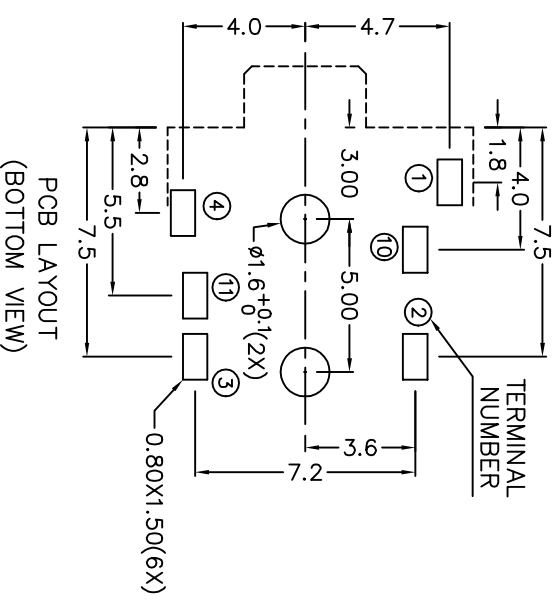


C		B		A	
ZONE	SYMBOL	REVISION	APPROVAL	DATE	



MODEL NO.	WG-2716	WG-2715A	WG-2715B	WG-2714
SCHEMATIC				

- \* MATERIAL**
- TERMINAL 1 : COPPER ALLOY
  - TERMINAL 2 : COPPER ALLOY
  - TERMINAL 3 : COPPER ALLOY
  - TERMINAL 4 : COPPER ALLOY
  - TERMINAL 10 : BRASS
  - TERMINAL 11 : BRASS
  - HOUSING : PA66
  - COVER : PA66



**SPECIFICATIONS**

1 Insulation resistance of adjacent open terminals shall not be less than 50 Megohms when measured with 500 Volts resistance meter.

2 Connector shall withstand 500 Volts (RMS) between adjacent open terminal for one minute.

3 Contact resistance of normally closed terminals shall not exceed 0.05 ohms when measured at a current of one Ampere by Voltage drop method.

4 Connector shall withstand 5,000 cycles of insertions and withdrawal with testing plug, contact resistance shall not exceed 0.1 ohm.

**TECHNIK INDUSTRIAL CO., LTD.**

PART NAME	2.5mm STEREO JACK	TOLERANCE UNLESS	0.0±0.2	UNIT:		DESIGN	T.Y.LI	DATE	19-12-2003	SCALE	4:1
PART NO.	TG-271	OTHERWISE SPECIFIED:	0.000±0.1			CHECK	T.Y.LI	DATE	19-12-2003	MATERIAL	*
			0.000±0.05	mm		APPROVAL		DATE		DWG. NO.	TZ\TG271-PA66
										SHEET	