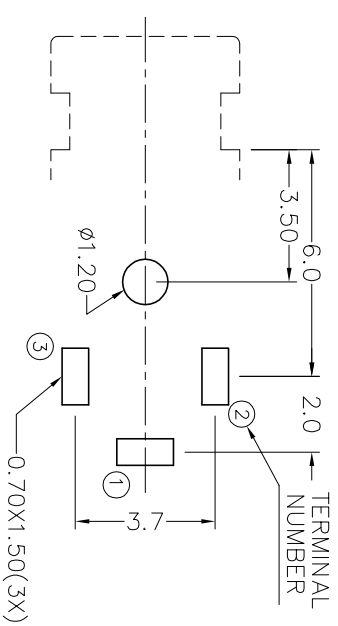
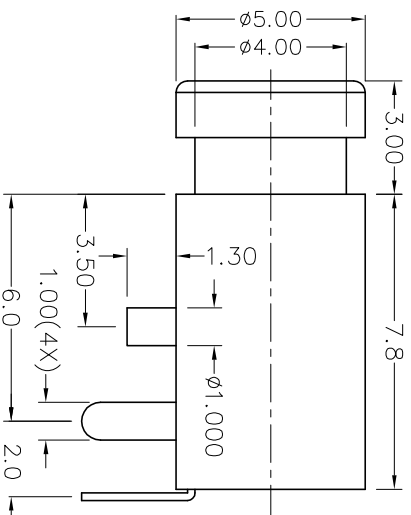
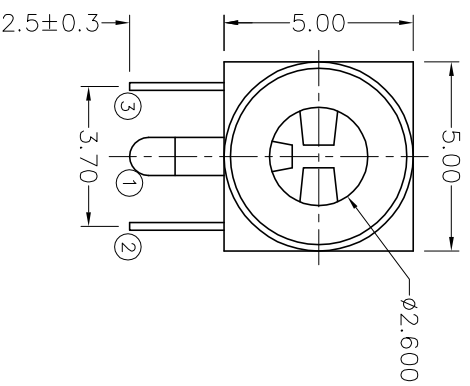


C		B		A	
ZONE	SYMBOL	REVISION	APPROVAL	DATE	
D3		MODIFY THE SCHEMATIC	J.X.KUANG	15-6-2005	



PCB LAYOUT
(BOTTOM VIEW)

MODEL NO.	TG-254
SCHEMATIC	

* MATERIAL

TERMINAL 1 : COPPER ALLOY
 TERMINAL 2 : COPPER ALLOY
 TERMINAL 3 : COPPER ALLOY
 BUSHING : BRASS
 HOUSING : PBT

SPECIFICATIONS

- 1 Insulation resistance of adjacent open terminals shall not be less than 50 Megohms when measured with 500 Volts resistance meter.
- 2 Connector shall withstand 500 Volts (RMS) between adjacent open terminal for one minute.
- 3 Contact resistance of normally closed terminals shall not exceed 0.03 ohms when measured at a current of one Ampere by Voltage drop method.
- 4 Connector shall withstand 5,000 cycles of insertions and withdrawal with testing plug , contact resistance shall not exceed 0.1 ohm.



TECHNIK INDUSTRIAL CO. LTD.

PART NAME	2.5mm PHONE JACK	TOLERANCE UNLESS	0.0±0.2	UNIT:	mm	DESIGN	T.Y.LI	DATE	15-6-2005	SCALE	5:1
PART NO.	TG-254	OTHERWISE SPECIFIED:	0.00±0.1			CHECK	T.Y.LI	DATE	15-6-2005	MATERIAL	*
			0.000±0.05			APPROVAL		DATE		DWG. NO.	TZ\TG254-PBT/B
										SHEET	

F

E

D

C

B

A

DCF-04/A