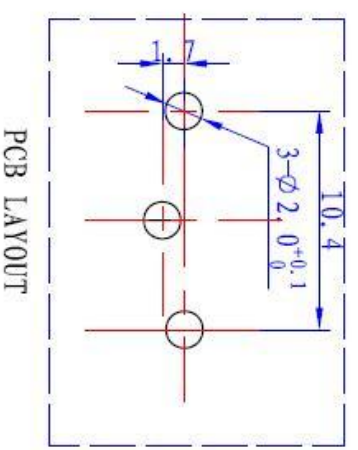
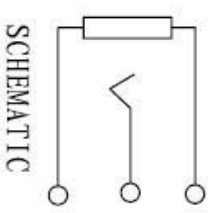
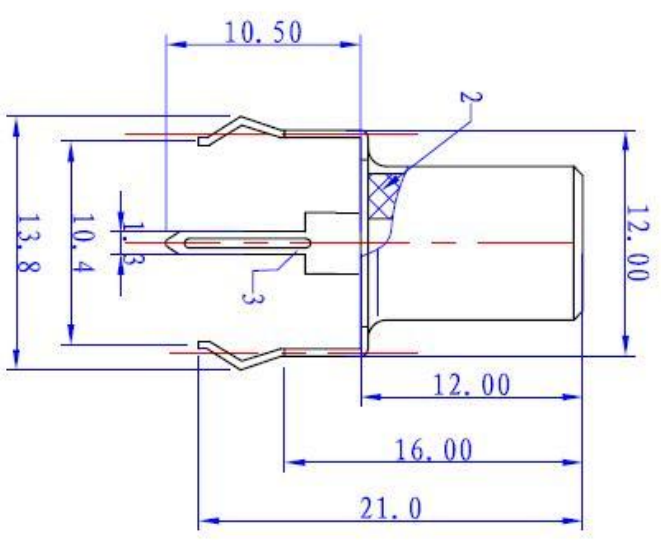
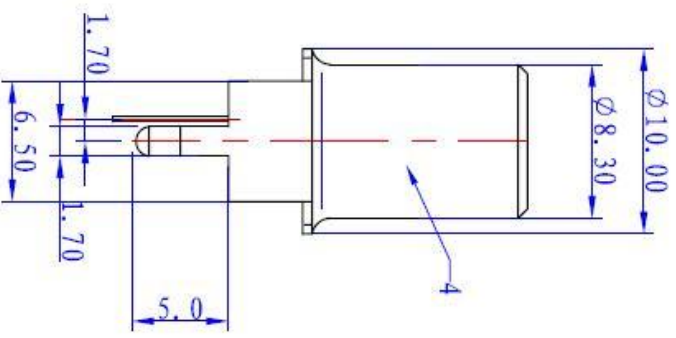
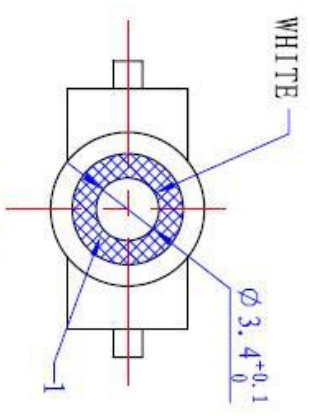


ALLOWANCE	
UNDER 3	± 0.1
3 TO 6	± 0.2
6 TO 15	± 0.3
15 TO 50	± 0.4
50 OVER	± 0.5



4	SOCKET	H65-0.4M	1	Cu-Sn PLATED	MODEL NO: RCA-117	TOLERANCE:	DRAWN BY: WU LI WEI 07.02.06
3	PIN	H65-0.3Y	1	Cu-Sn PLATED	TYPE: RCA JACK	UNIT: mm	CHECKED BY:
2	WASHER-B	PBT-G30	1	BLACK	MATERIAL NO:	SCALE: NO SCALE	APPROVED BY:
1	WASHER-A	PBT-G30	1	WHITE			
NO:	PART NAME	MATERIAL	QTY	FINISHING			

VR ELECTRON CO